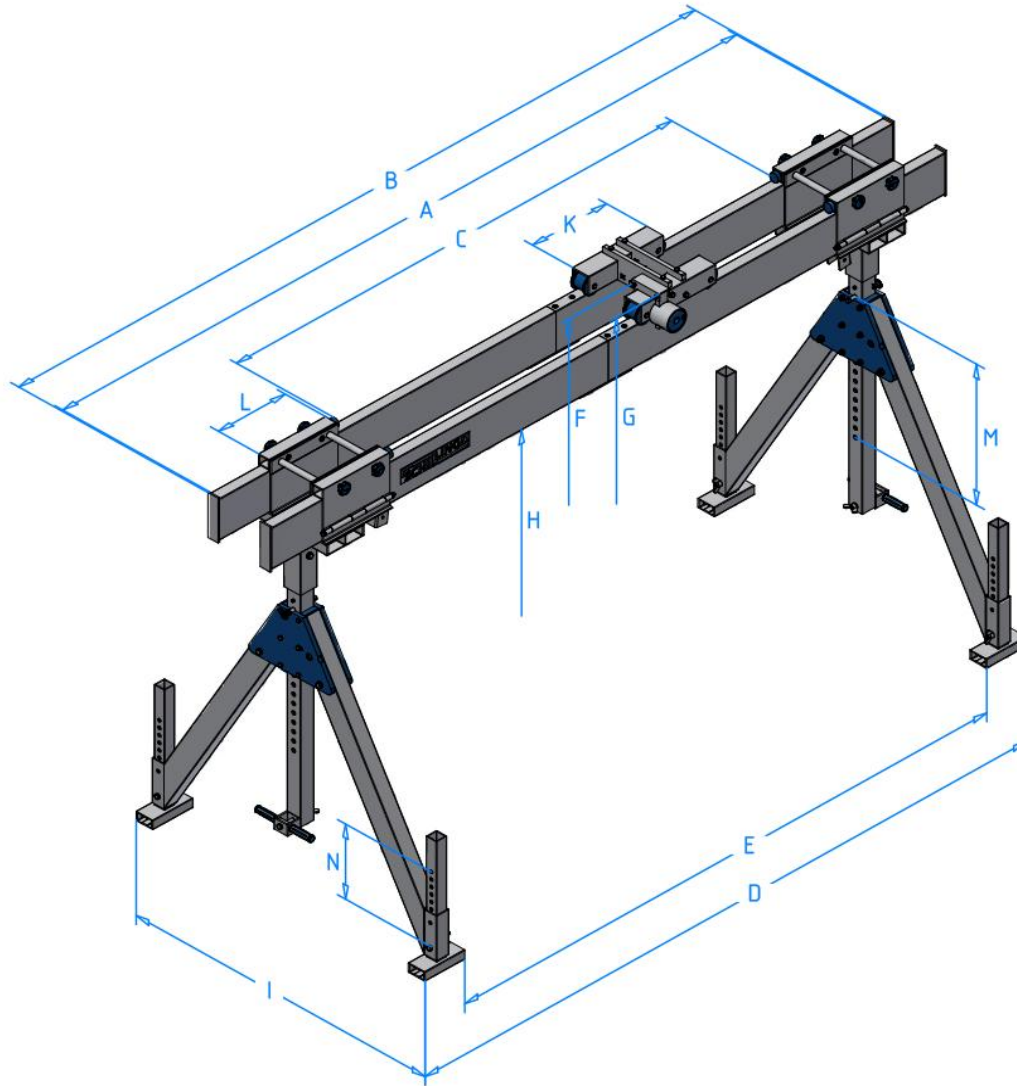


# ALUMINIUM GANTRY CRANE, stationary model

## load capacity 1.000 kg with double beam

# SCHILLING

we lift it



item no.	load capacity	beam length			total width of the crane		suspension point at the bolt of the trolley		total height		lower edge alu beam		lateral stand	park-brake trolley	horizontal adjuster	adjustment range		weight
		clear width	total	usable	outside	inside	min.	max.	min.	max.	min.	max.	width	width	width	beam support	adjustment foot	
	kg	A	B	C	D	E	F		G		H		I	K	L	M	N	kg
<b>SMALL</b>																		
1511040-10	1000	4000	4016	3158	4141	3650	1834	2884	1934	2984	1567	2617	1293	480	421	650	400	244
1511050-10	1000	5000	5016	4158	5141	4650	1834	2884	1934	2984	1567	2617	1293	480	421	650	400	262
1511060-10	1000	6000	6016	5158	6141	5650	1834	2884	1934	2984	1567	2617	1293	480	421	650	400	279
1511070-10	1000	7000	7016	6158	7151	6650	1834	2884	1934	2984	1567	2617	1293	480	421	650	400	297
1511080-10	1000	8000	8016	7158	8141	7650	1834	2884	1934	2984	1567	2617	1293	480	421	650	400	314
<b>MEDIUM</b>																		
1521040-10	1000	4000	4016	3158	4141	3650	2245	3395	2345	3495	1978	3128	1716	480	421	750	400	262
1521050-10	1000	5000	5016	4158	5141	4650	2245	3395	2345	3495	1978	3128	1716	480	421	750	400	280
1521060-10	1000	6000	6016	5158	6141	5650	2245	3395	2345	3495	1978	3128	1716	480	421	750	400	297
1521070-10	1000	7000	7016	6158	7141	6650	2245	3395	2345	3495	1978	3128	1716	480	421	750	400	315
1521080-10	1000	8000	8016	7158	8141	7650	2245	3395	2345	3495	1978	3128	1716	480	421	750	400	332
<b>HIGH</b>																		
1531040-10	1000	4000	4016	3158	4141	3650	2787	4337	2887	4437	2520	4070	2214	480	421	1150	400	285
1531050-10	1000	5000	5016	4158	5141	4650	2787	4337	2887	4437	2520	4070	2214	480	421	1150	400	303
1531060-10	1000	6000	6016	5158	6141	5650	2787	4337	2887	4437	2520	4070	2214	480	421	1150	400	320
1531070-10	1000	7000	7016	6158	7141	6650	2787	4337	2887	4437	2520	4070	2214	480	421	1150	400	337
1531080-10	1000	8000	8016	7158	8141	7650	2787	4337	2887	4437	2520	4070	2214	480	421	1150	400	355